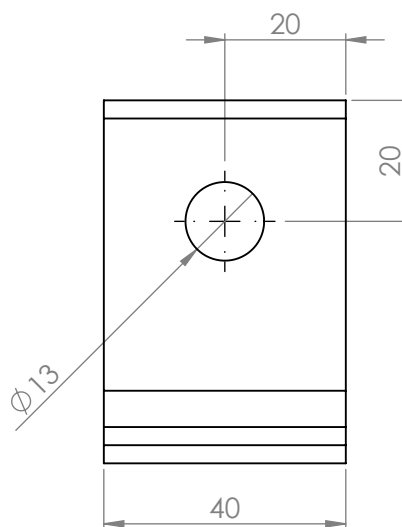
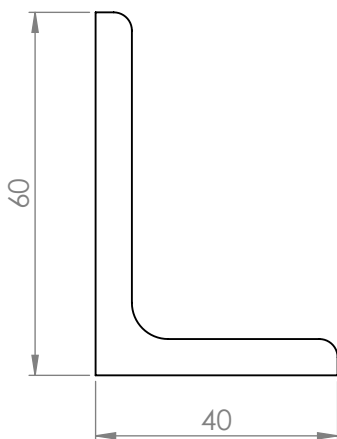
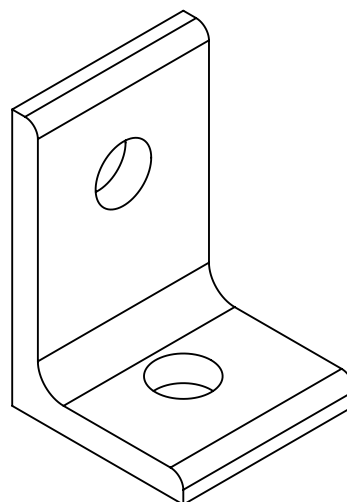
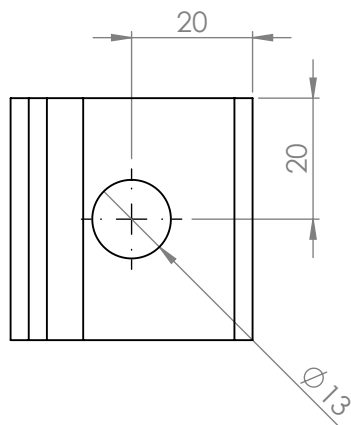


FITTING PLATES

P1027/P1028/P1029



CODE	DESCRIPTION	THICKNESS[mm]	DIMENSIONS
P10276ZE	Angular Fitting	6,0	45/40/30
P10286ZE	Angular Fitting	6,0	60/40/40
P10296ZE	Angular Fitting	6,0	90/60/40
P10275ZC	Angular Fitting	6,0	45/40/30
P10285ZC	Angular Fitting	6,0	60/40/40
P10295ZC	Angular Fitting	6,0	90/60/40

Available also in stainless steel 304 and 316

Legend:

ZE= Galvanized

ZC= Hot Dip Galvanized