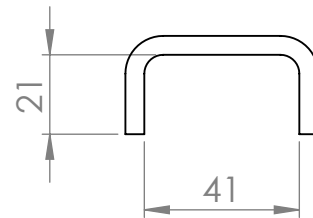
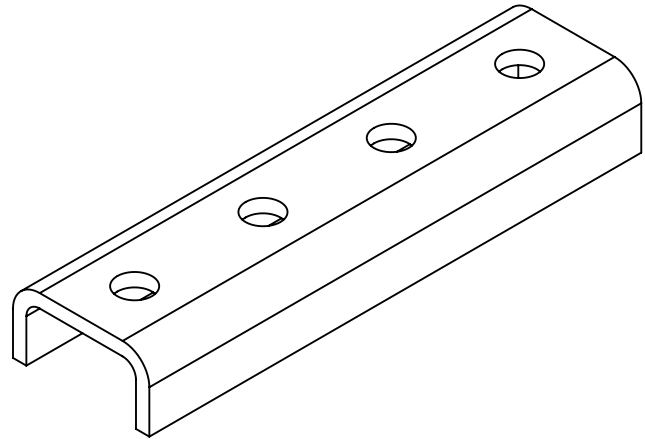
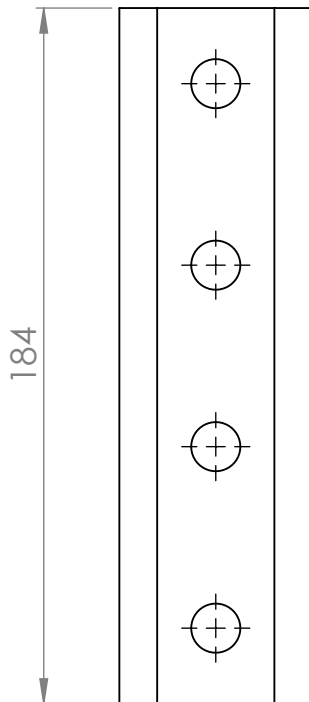


FITTING PLATES

P1376



CODE	DESCRIPTION	THICKNESS[mm]	MATERIAL
P13765ZE	"U" shaped plate	5,0	ZE
P13766ZE	"U" shaped plate	6,0	ZE
P13765ZC	"U" shaped plate	5,0	ZC
P13766ZC	"U" shaped plate	6,0	ZC

Available also in Stainless steel A304 and A316

Legend:

ZE= GALVANIZED

ZC= HOT DIP GALVANIZED