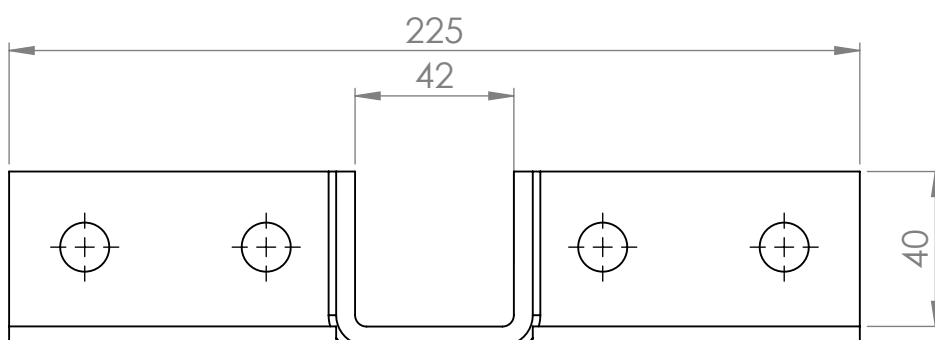
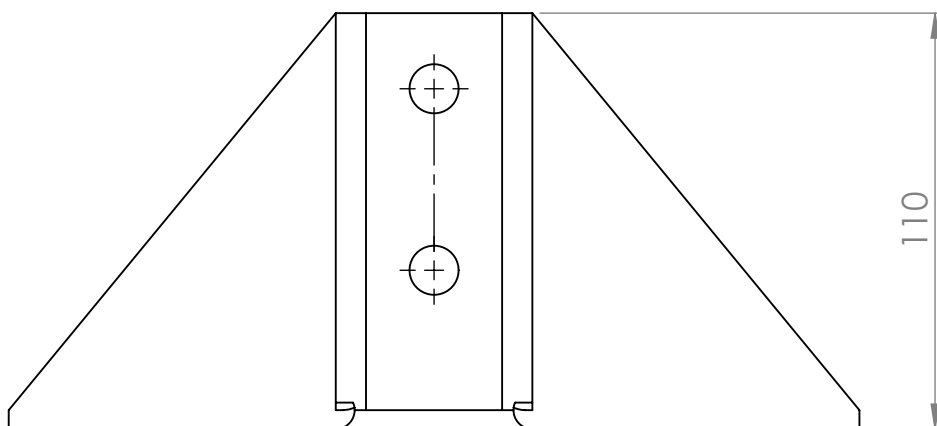
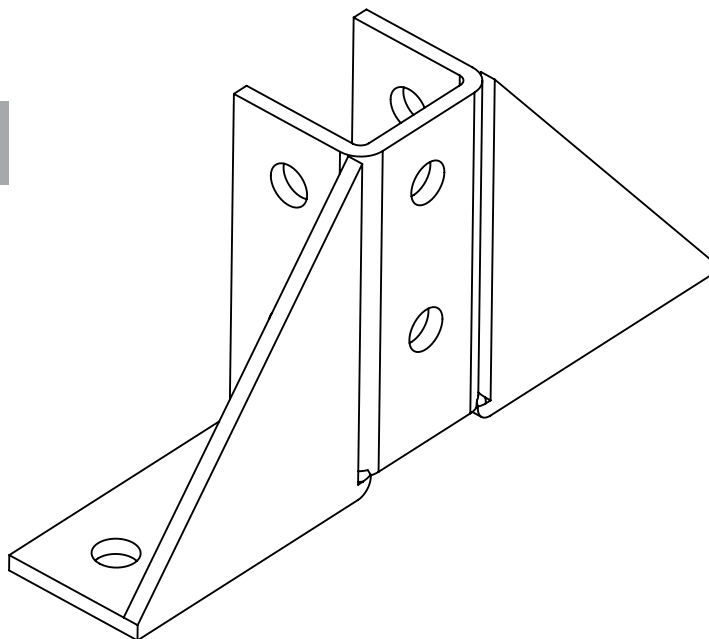


# FITTING PLATES

P2349



CODE	DESCRIPTION	THICKNESS[mm]	MATERIAL
P23495ZE	Angular Fitting	5,0	ZE
P23496ZE	Angular Fitting	6,0	ZE
P23495ZC	Angular Fitting	5,0	ZC
P23496ZC	Angular Fitting	6,0	ZC

Available also in Stainless stell A304 and A316

Legend:

ZE= GALVANIZED

ZC= HOT DIP GALVANIZED