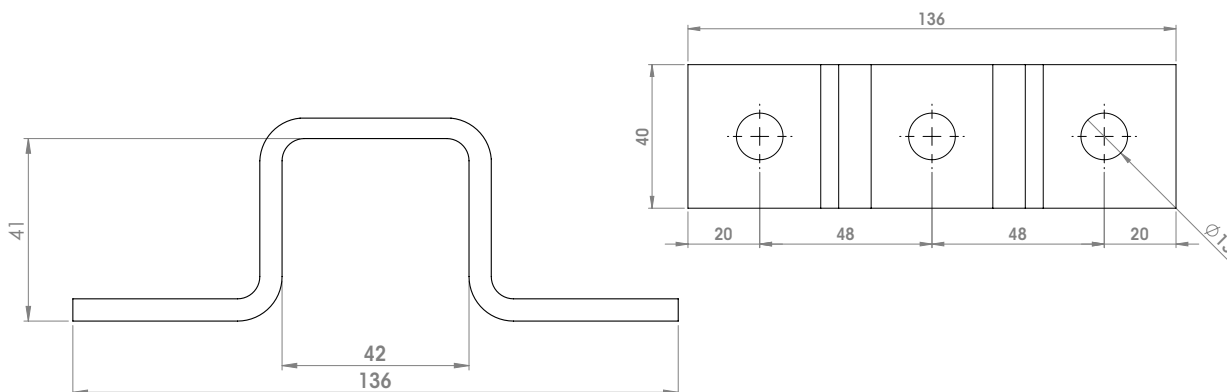
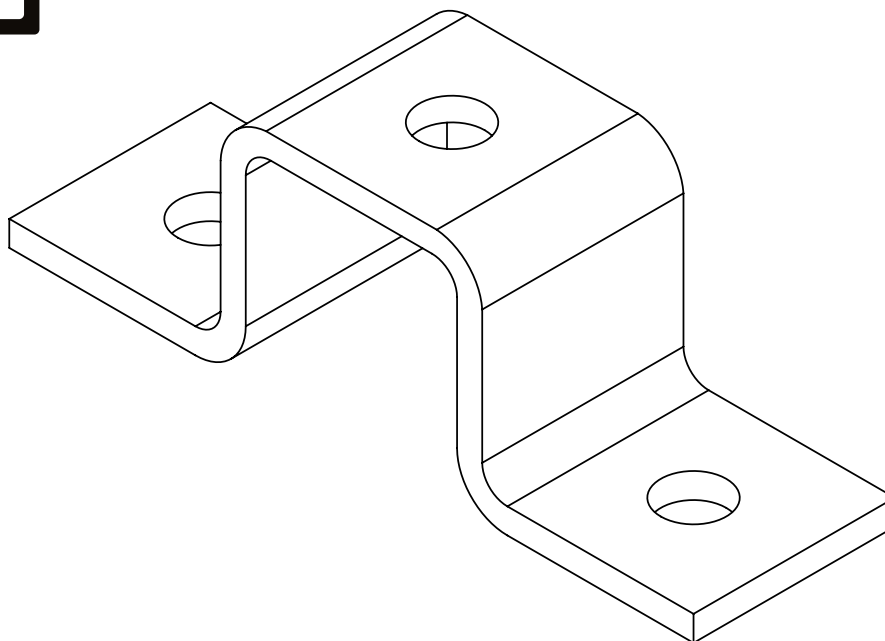


# FITTING PLATES

P1737



CODE	DESCRIPTION	THICKNESS[mm]	MATERIAL
P17375ZE	Omega Plate	5,0	ZE
P17376ZE	Omega Plate	6,0	ZE
P17375ZC	Omega Plate	5,0	ZC
P17376ZC	Omega Plate	6,0	ZC

Available also in Stainless steel A304 and A316

Legend:  
 ZE= GALVANIZED  
 ZC= HOT DIP GALVANIZED