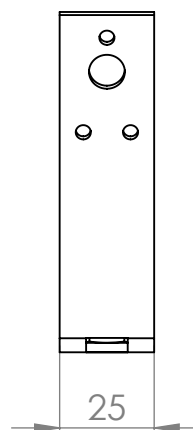
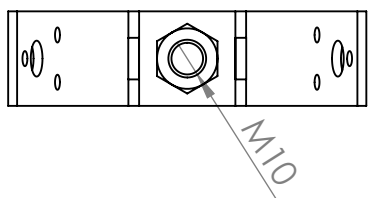
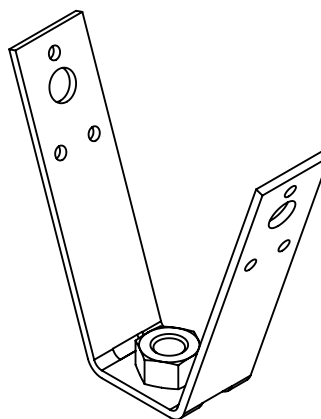
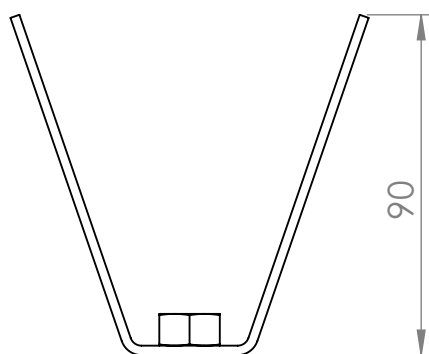


FITTING PLATES

P41573



CODE	DESCRIPTION	MATERIAL
P41573ZE	Angular plates	ZE
P41573ZC	Angular plates	ZC

Available also in Stainless steel A304 and A316

Legend:
 ZE= Galvanized
 ZC= Hot Dip Galvanized