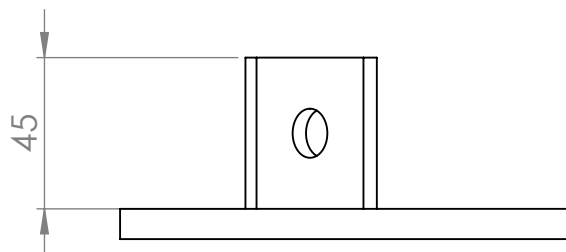
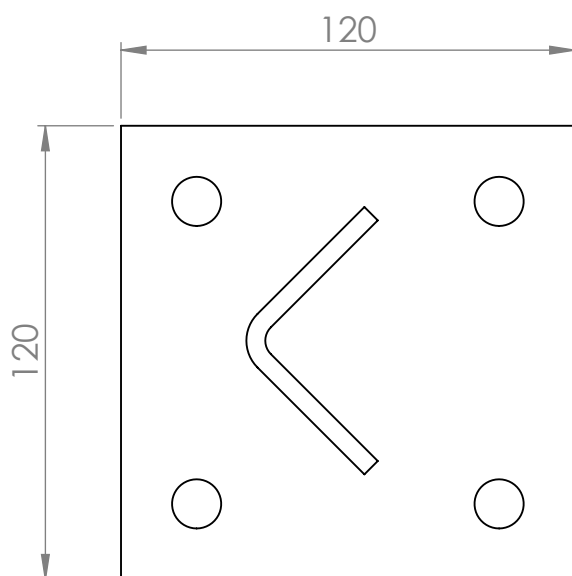
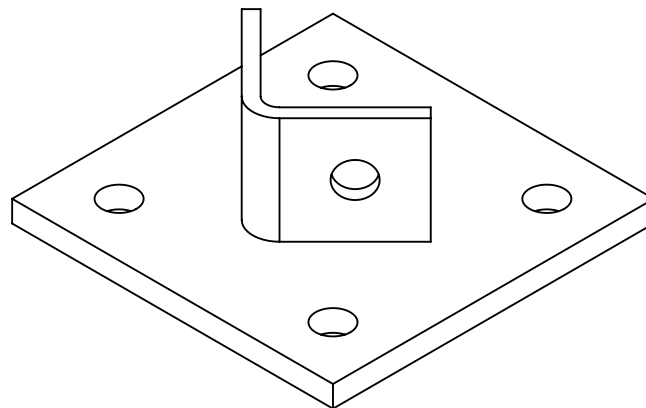


# FITTING PLATES

P2074



CODE	DESCRIPTION	THICKNESS[mm]	MATERIAL
P20745ZE	Base plate	5,0	ZE
P20746ZE	Base plate	6,0	ZE
P20745ZC	Base plate	5,0	ZC
P20746ZC	Base plate	6,0	ZC

Available also in Stainless steel A304 and A316

Legend:

ZE= GALVANIZED

ZC= HOT DIP GALVANIZED