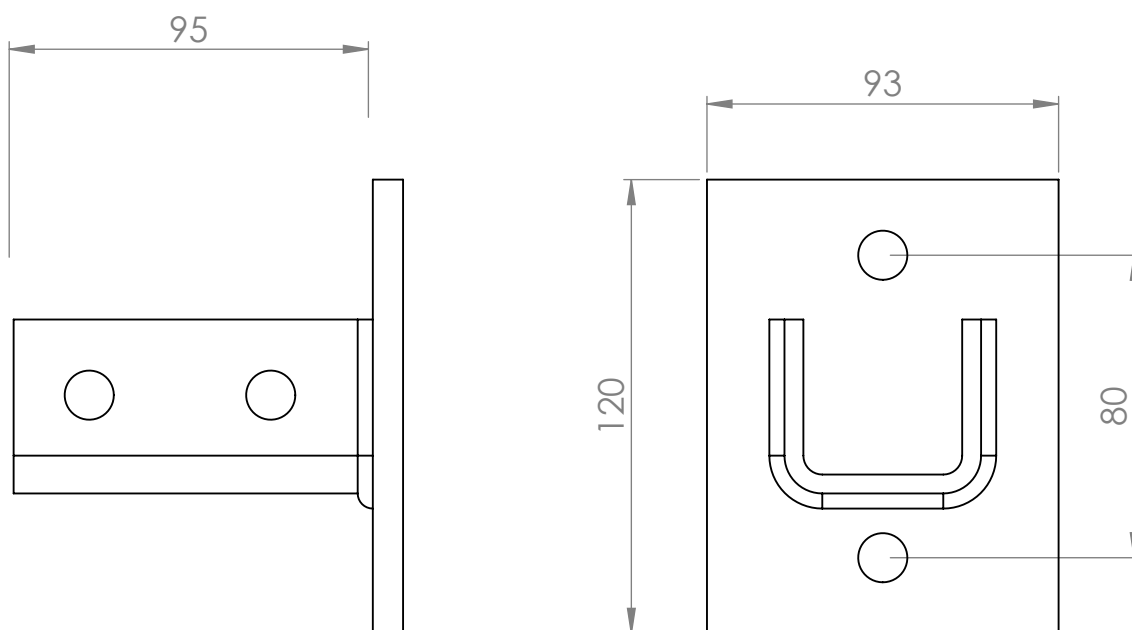
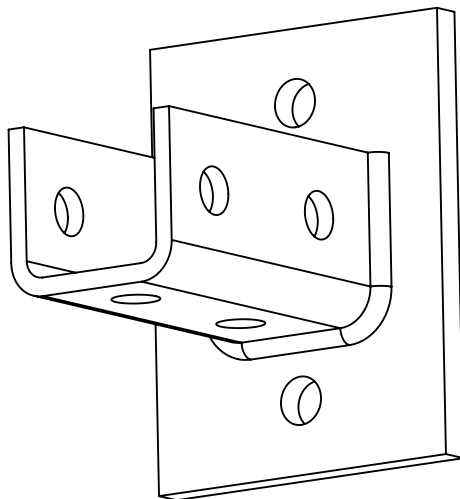


FITTING PLATES

P2942



CODE	DESCRIPTION	THICKNESS[mm]	MATERIAL
P29425ZE	Base plate	5,0	ZE
P29426ZE	Base plate	6,0	ZE
P29425ZC	Base plate	5,0	ZC
P29426ZC	Base plate	6,0	ZC

Available also in Stainless stell A304 and A316

Legend:
ZE= GALVANIZED
ZC= HOT DIP GALVANIZED