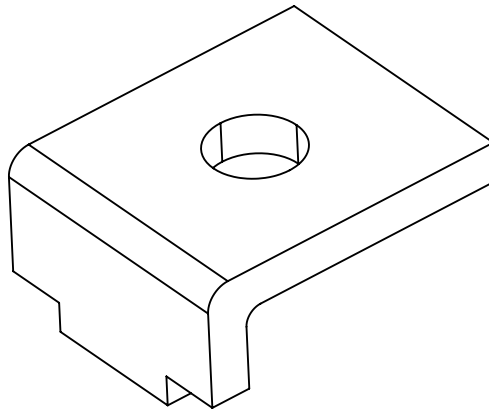


FITTING PLATES

P1386



CODE	DESCRIPTION	MATERIAL
P1386ZE	Beam Clamp	ZE
P1386ZC	Beam Clamp	ZC

Available also in Stainless steel A304 and A316

Legend:
ZE= GALVANIZED
ZC= HOT DIP GALVANIZED