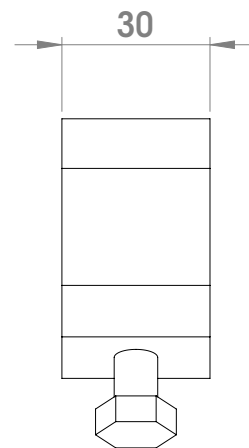
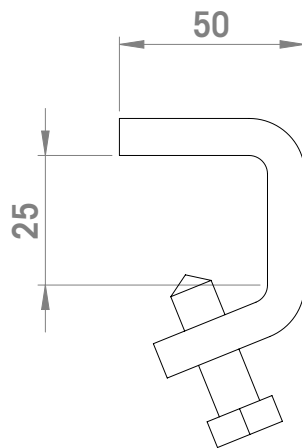
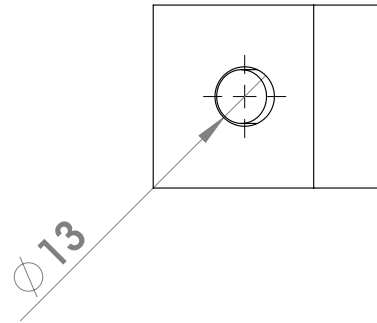
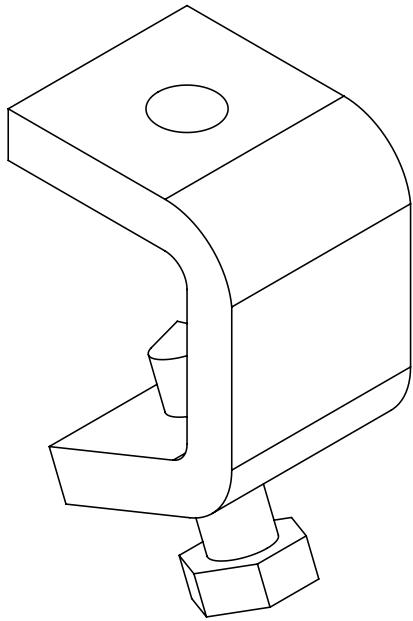


FITTING PLATES

P1272



CODE	DESCRIPTION	THICKNESS[mm]	MATERIAL
P12725ZE	Beam Clamp	5,0	ZE
P12726ZE	Beam Clamp	6,0	ZE
P12725ZC	Beam Clamp	5,0	ZC
P12726ZC	Beam Clamp	6,0	ZC

Available also in Stainless steel A304 and A316

Legend:

ZE= GALVANIZED

ZC= HOT DIP GALVANIZED