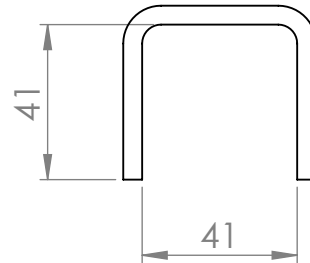
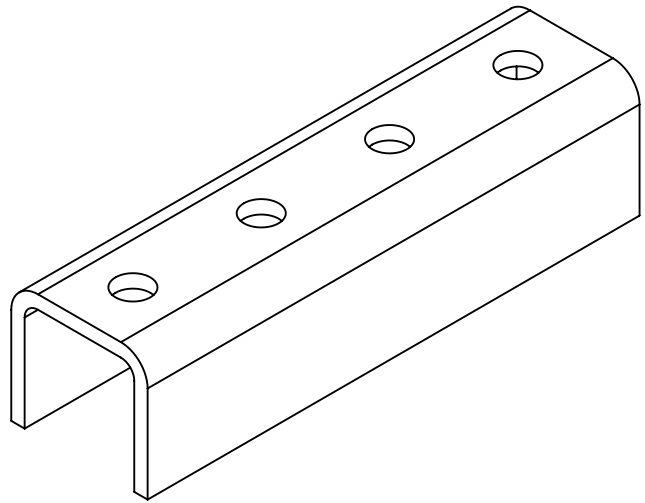
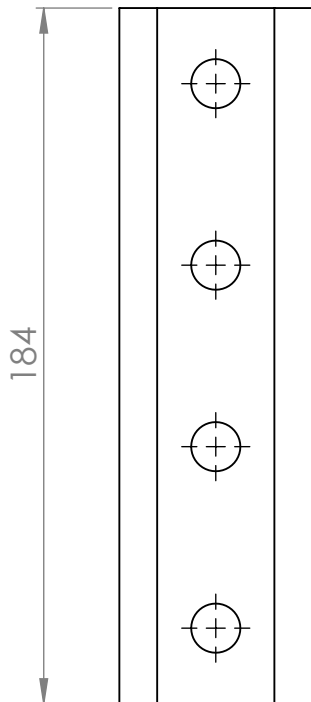


FITTING PLATES

P1377



CODE	DESCRIPTION	THICKNESS[mm]	MATERIAL
P13775ZE	"U" shaped plate	5,0	ZE
P13776ZE	"U" shaped plate	6,0	ZE
P13775ZC	"U" shaped plate	5,0	ZC
P13776ZC	"U" shaped plate	6,0	ZC

Available also in Stainless stell A304 and A316

Legend:
 ZE= GALVANIZED
 ZC= HOT DIP GALVANIZED