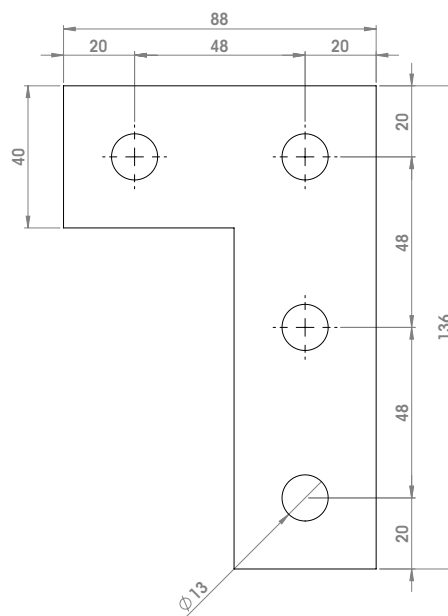
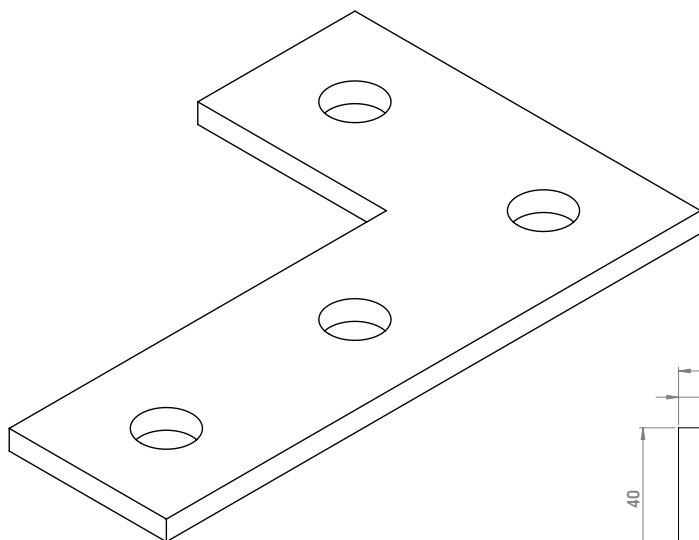


FITTING PLATES

P1380



CODE	DESCRIPTION	THICKNESS[mm]	MATERIAL
P13805ZE	Flat Fitting	5,0	ZE
P13806ZE	Flat Fitting	6,0	ZE
P13805ZC	Flat Fitting	5,0	ZC
P13806ZC	Flat Fitting	6,0	ZC

Available also in Stainless steel A304 and A316

Legend:

ZE= GALVANIZED

ZC= HOT DIP GALVANIZED