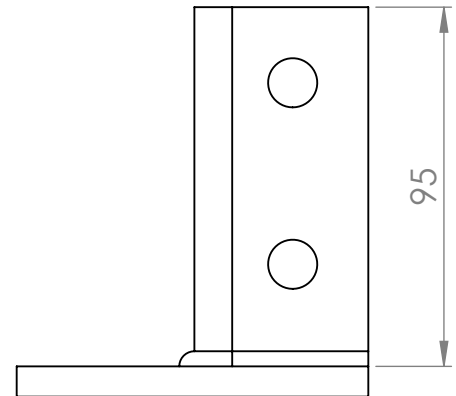
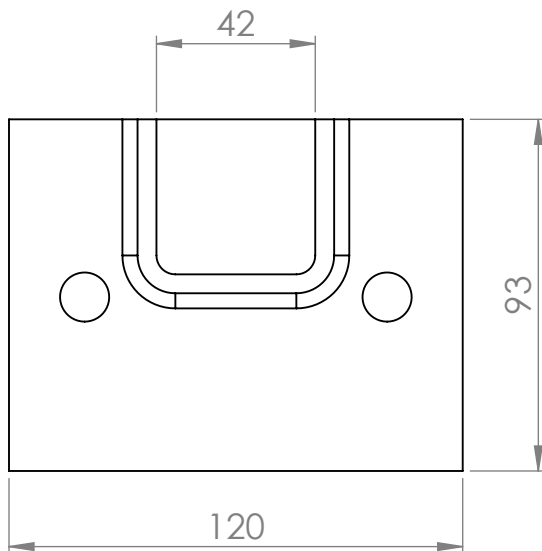
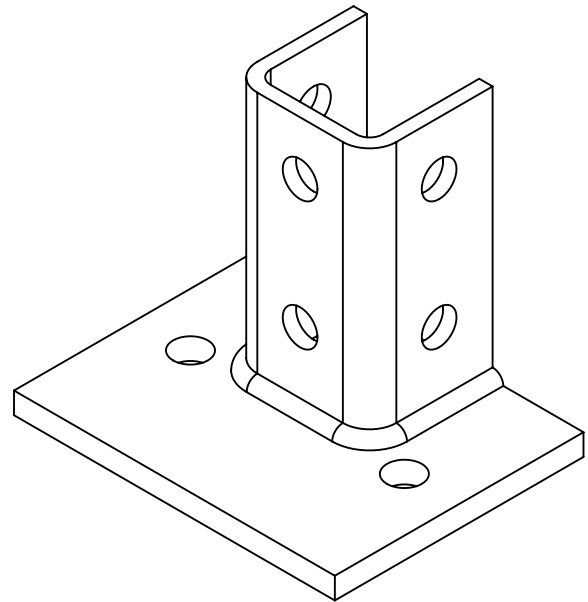


FITTING PLATES

P2076



CODE	DESCRIPTION	THICKNESS[mm]	MATERIAL
P20765ZE	Base plate	5,0	ZE
P20766ZE	Base plate	6,0	ZE
P20765ZC	Base plate	5,0	ZC
P20766ZC	Base plate	6,0	ZC

Available also in Stainless steel A304 and A316

Legend:

ZE= GALVANIZED

ZC= HOT DIP GALVANIZED