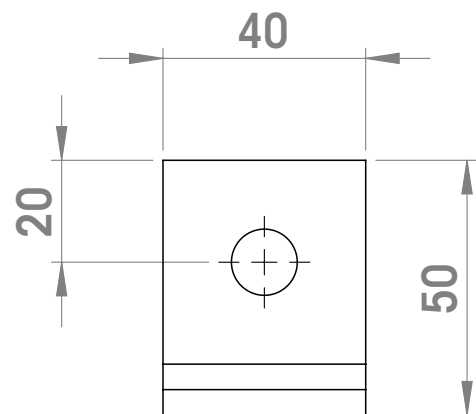
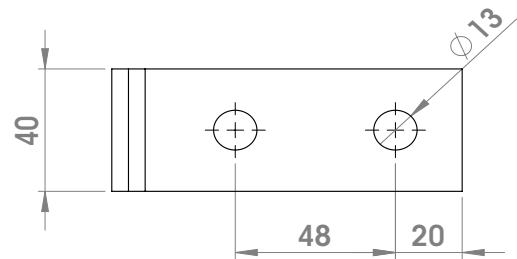
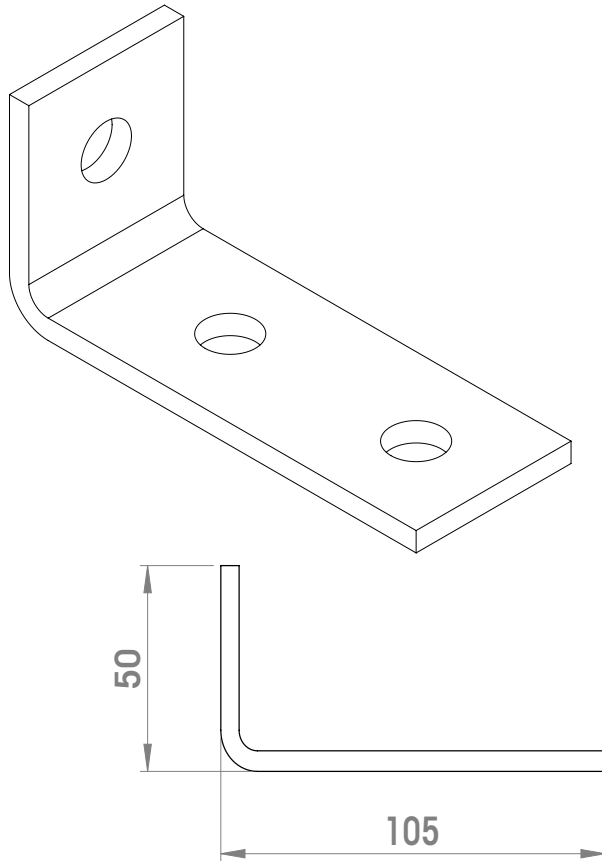


FITTING PLATES

P1326



Code	Description	Thickness [mm]	Material
P13265ZE	Angular Fitting	5,0	ZE
P13266ZE	Angular Fitting	6,0	ZE
P13265ZC	Angular Fitting	5,0	ZC
P13266ZC	Angular Fitting	6,0	ZC

Available also in Stainless steel 304 and 316

Legend:

ZE= Galvanized

ZC= Hot Dip Galvanized