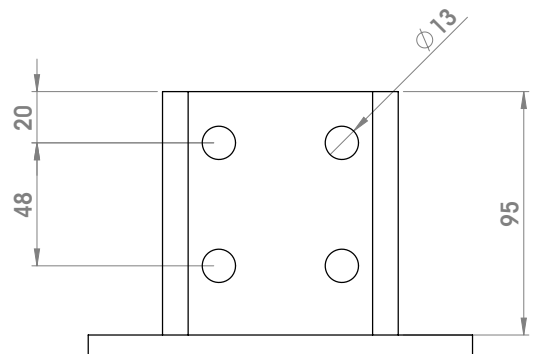
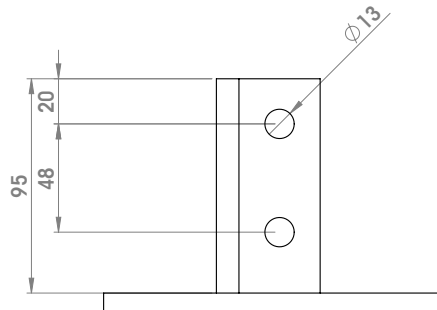
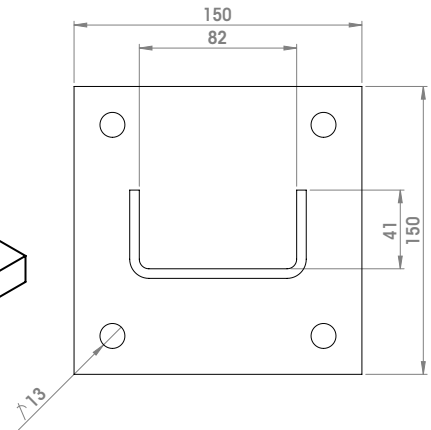
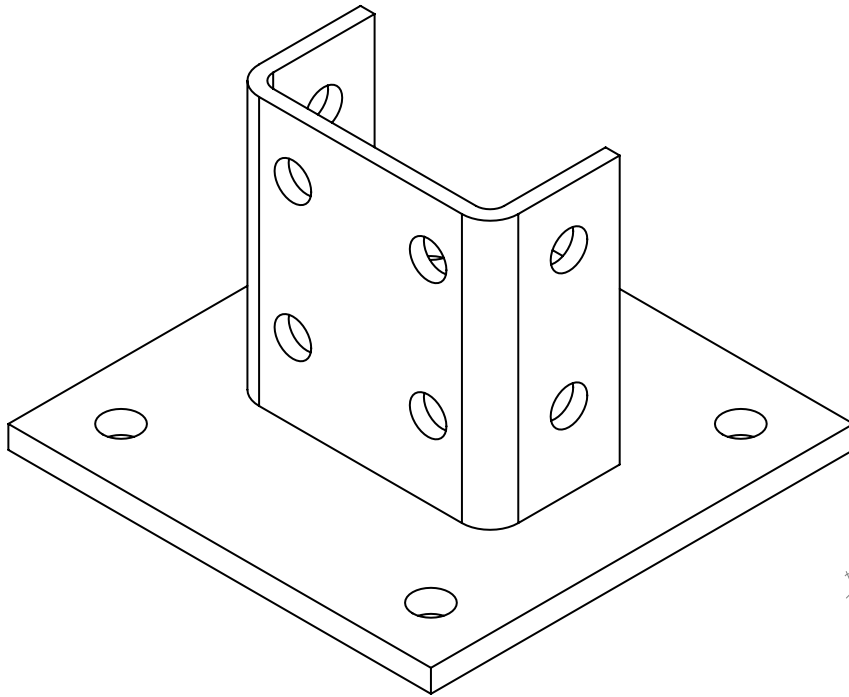


# FITTING PLATES

P2073



Code	Description	Thickness [mm]	Material
P20735ZE	Base plate	5,0	ZE
P20736ZE	Base plate	6,0	ZE
P20735ZC	Base plate	5,0	ZC
P20736ZC	Base plate	6,0	ZC

Available also in Stainless stell A304 and A316

Legend:

ZE= Galvanized

ZC= Hot Dip Galvanized