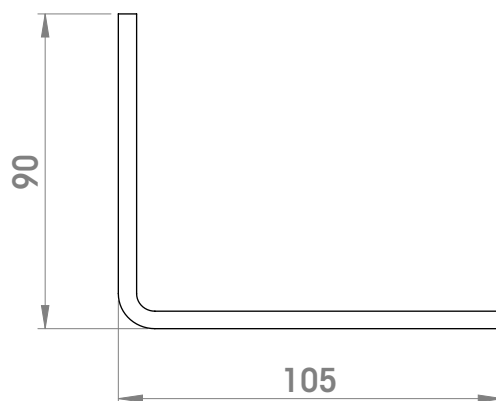
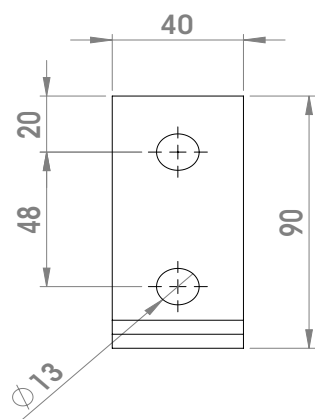
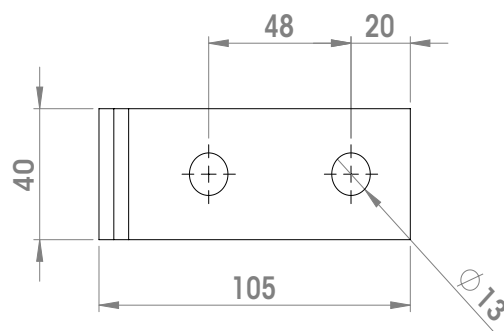
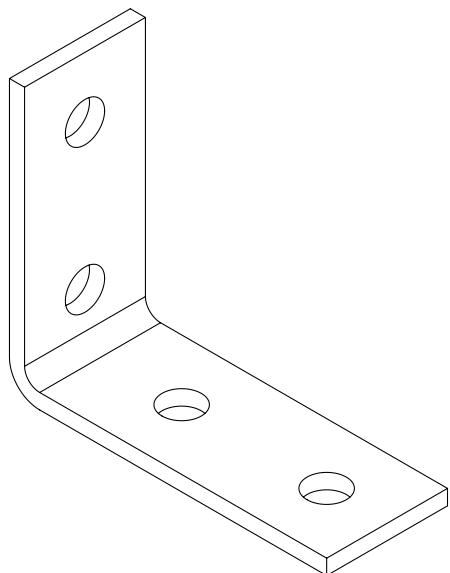


FITTING PLATES

P1325



Code	Description	Thickness [mm]	Material
P13255ZE	Angular Fitting	5,0	ZE
P13256ZE	Angular Fitting	6,0	ZE
P13255ZC	Angular Fitting	5,0	ZC
P13256ZC	Angular Fitting	6,0	ZC

Available also in Stainless steel A304 and A316

Legend:

ZE= Galvanized

ZC= Hot Dip Galvanized