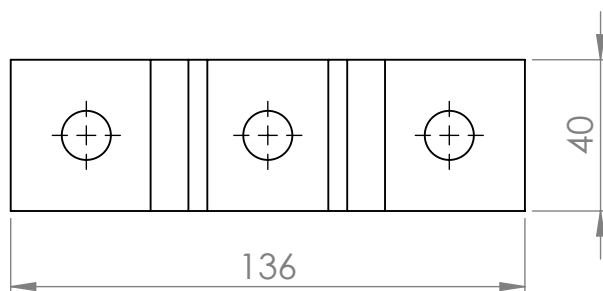
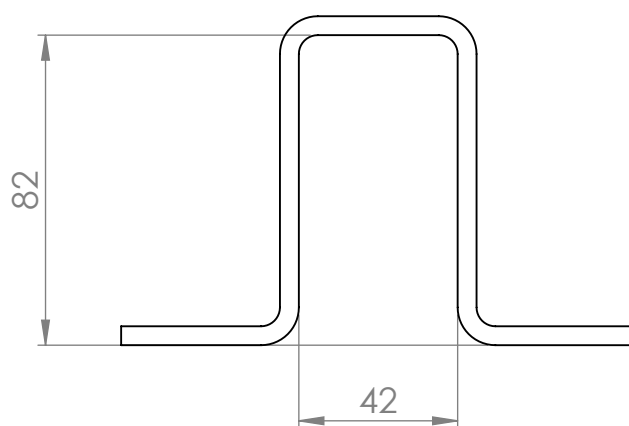
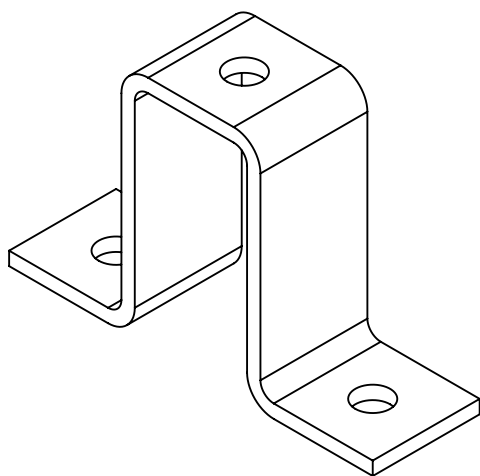


FITTING PLATES

P1047



CODE	DESCRIPTION	THICKNESS[mm]	MATERIAL
P10475ZE	Omega plate	5,0	ZE
P10476ZE	Omega plate	6,0	ZE
P10475ZC	Omega plate	5,0	ZC
P10476ZC	Omega plate	6,0	ZC

Available also in Stainless steel A304 and A316

Legend:

ZE= GALVANIZED

ZC= HOT DIP GALVANIZED