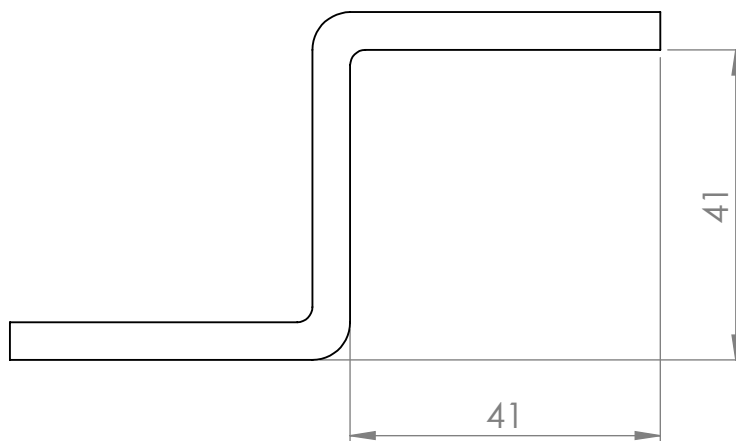
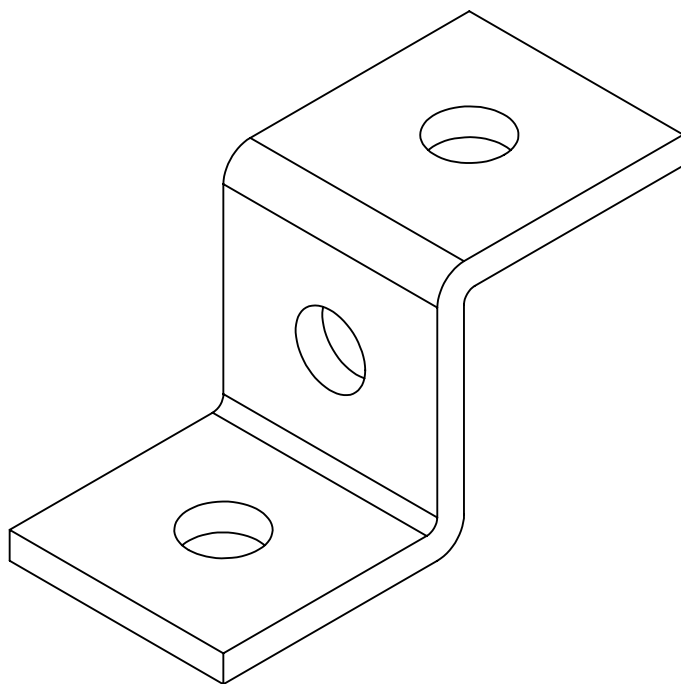
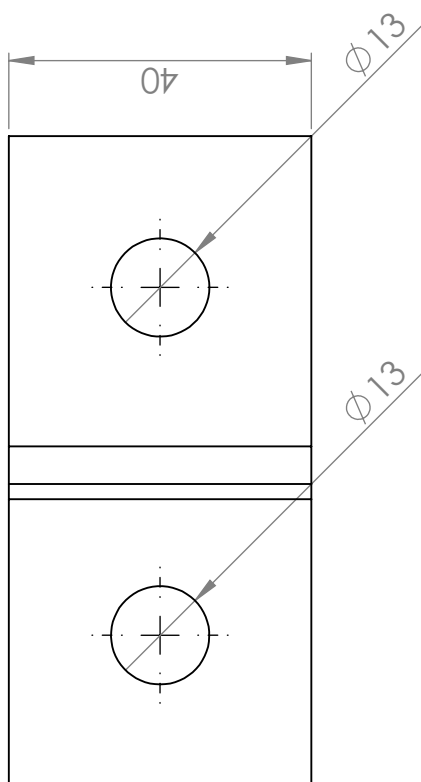


FITTING PLATES

P1045



| CODE | DESCRIPTION | THICKNESS[mm] | MATERIAL |
|----------|------------------|---------------|----------|
| P10455ZE | "z" shaped plate | 5,0 | ZE |
| P10456ZE | "z" shaped plate | 6,0 | ZE |
| P10455ZC | "z" shaped plate | 5,0 | ZC |
| P10456ZC | "z" shaped plate | 6,0 | ZC |

Available also in Stainless steel A304 and A316

Legend:

ZE= GALVANIZED

ZC= HOT DIP GALVANIZED