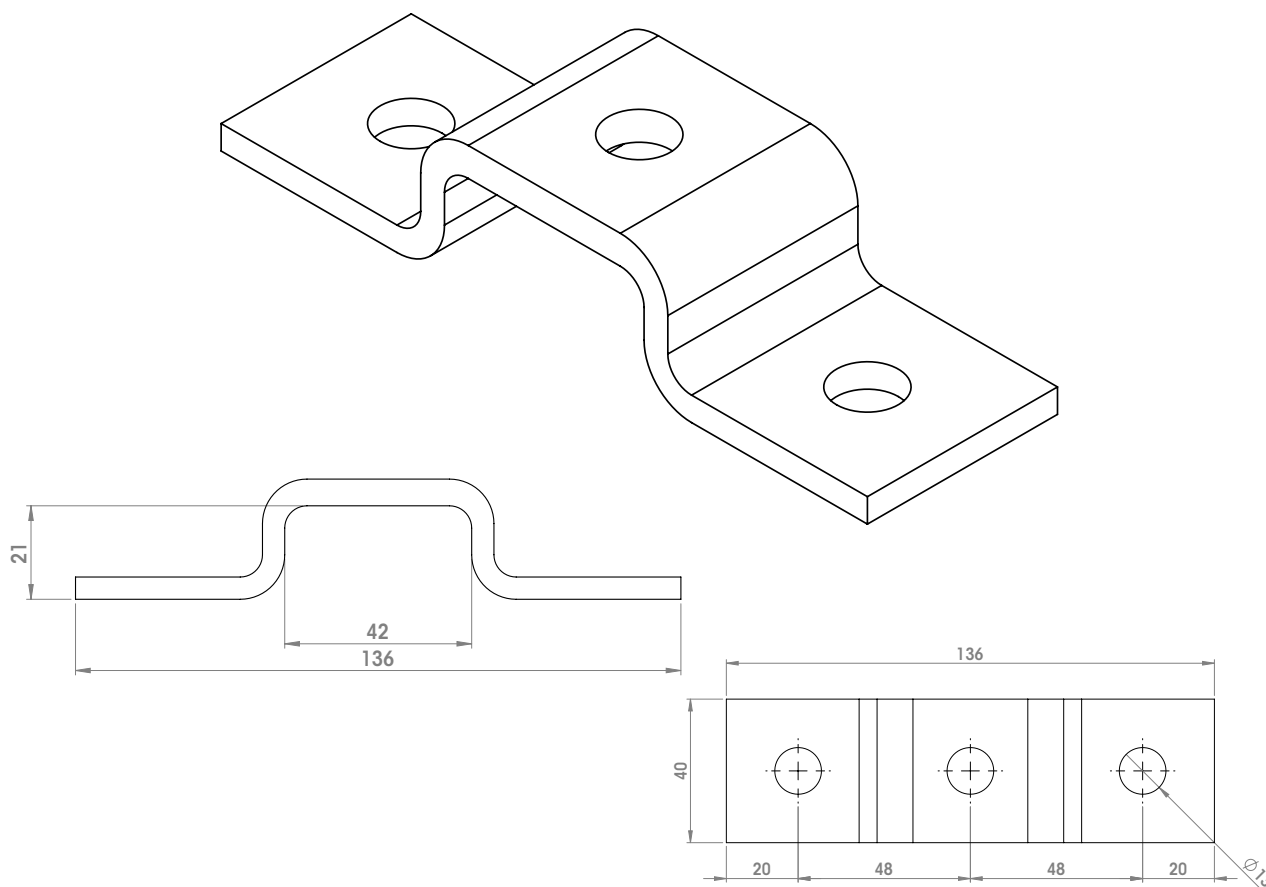


# FITTING PLATES

P4047



CODE	DESCRIPTION	THICKNESS[mm]	MATERIAL
P40475ZE	Omega plate	5,0	ZE
P40476ZE	Omega plate	6,0	ZE
P40475ZC	Omega plate	5,0	ZC
P40476ZC	Omega plate	6,0	ZC

Available also in Stainless steel A304 and A316

Legenda:

ZE= Zincato elettrolitico

ZC= Zincato a caldo