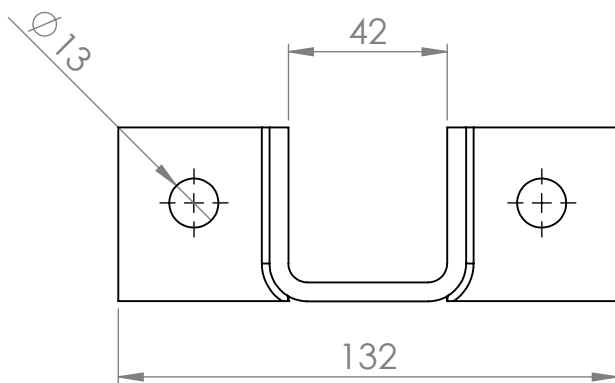
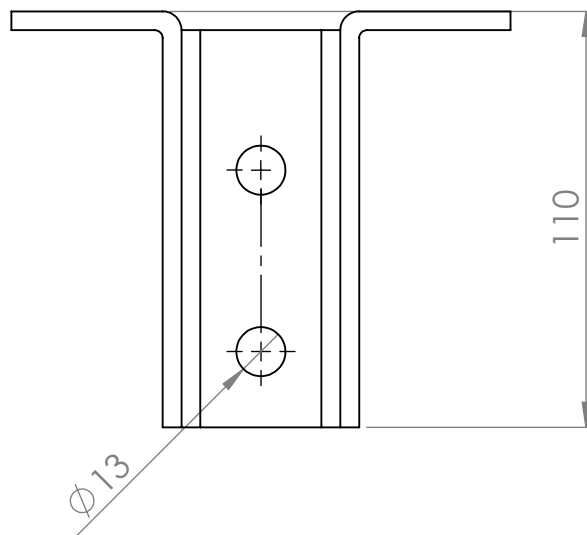
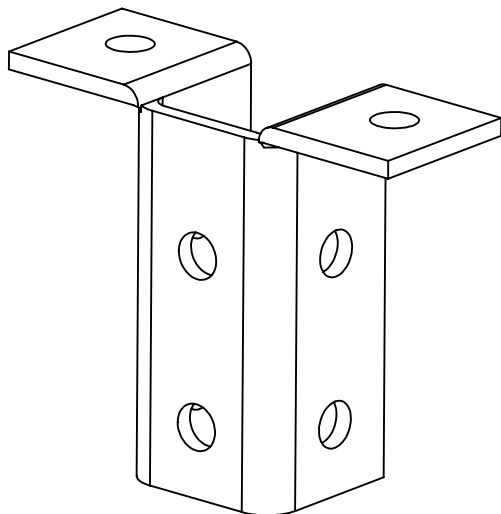


FITTING PLATES

P2346



CODE	DESCRIPTION	THICKNESS[mm]	MATERIAL
P23465ZE	Piastra shaped	5,0	ZE
P23466ZE	Piastra shaped	6,0	ZE
P23465ZC	Piastra shaped	5,0	ZC
P23466ZC	Piastra shaped	6,0	ZC

Available also in Stainless stell A304 and A316

Legend:

ZE= GALVANIZED

ZC= HOT DIP GALVANIZED