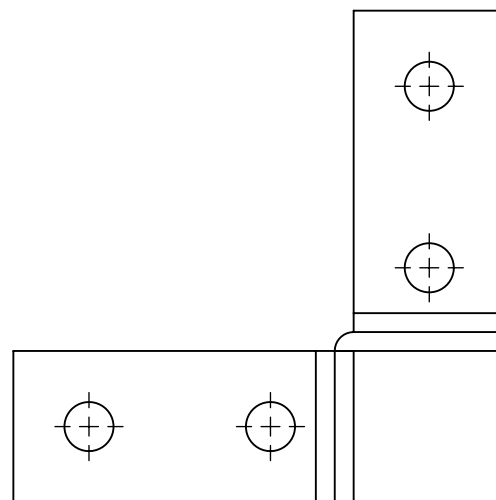
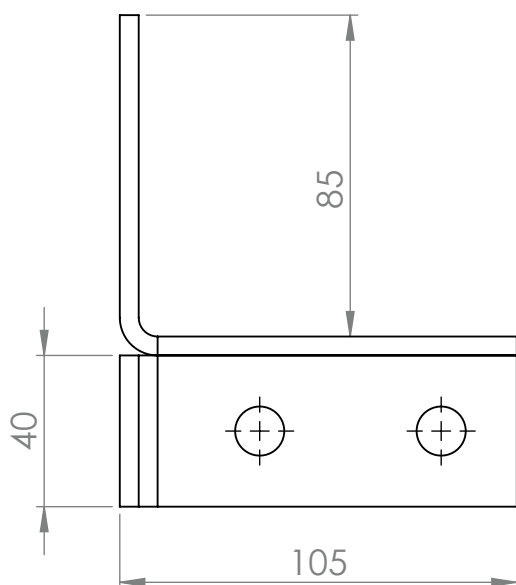
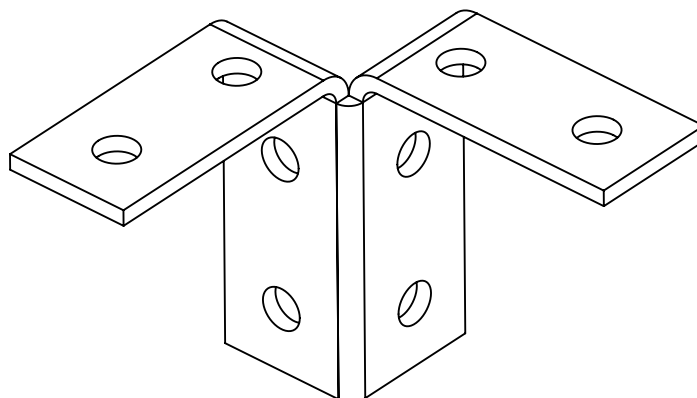


FITTING PLATES

P2225



CODE	DESCRIPTION	THICKNESS[mm]	MATERIAL
P22255ZE	Double angular plate	5,0	ZE
P22256ZE	Double angular plate	6,0	ZE
P22255ZC	Double angular plate	5,0	ZC
P22256ZC	Double angular plate	6,0	ZC

Available also in Stainless stell A304 and A316

Legend:
ZE= GALVANIZED
ZC= HOT DIP GALVANIZED