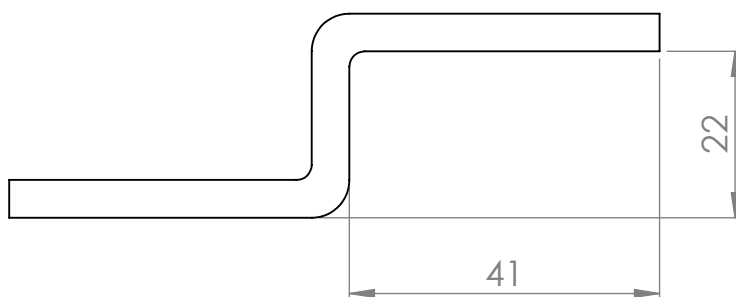
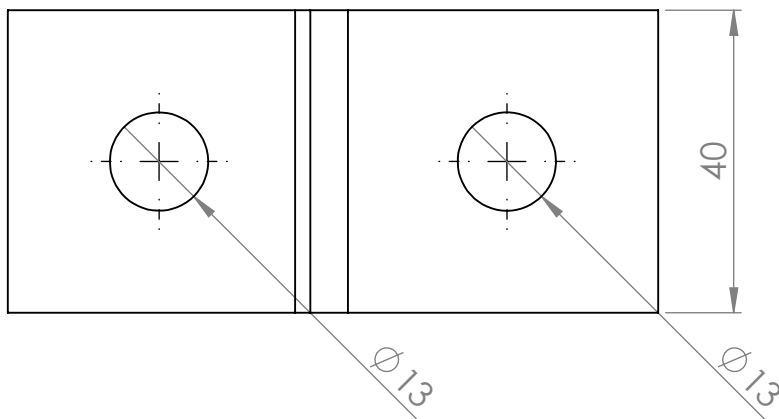
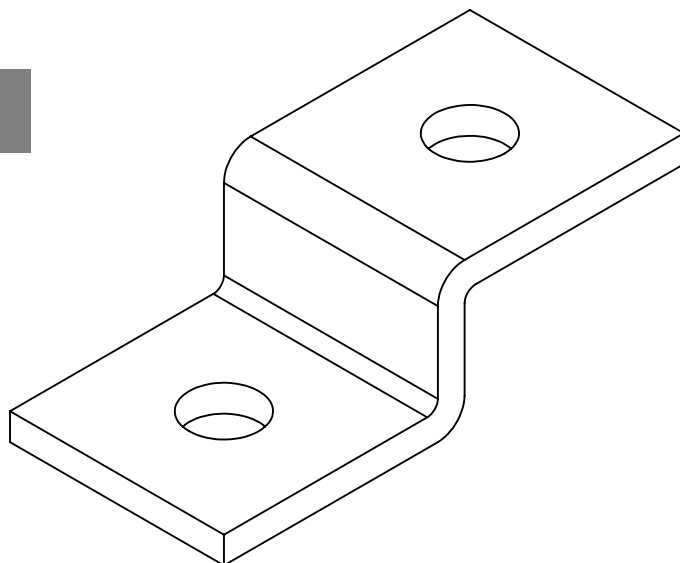


FITTING PLATES

P1044



CODE	DESCRIPTION	THICKNESS[mm]	MATERIAL
P10445ZE	"z" shaped plate	5,0	ZE
P10446ZE	"z" shaped plate	6,0	ZE
P10445ZC	"z" shaped plate	5,0	ZC
P10446ZC	"z" shaped plate	6,0	ZC

Available also in Stainless steel A304 and A316

Legend:
 ZE= GALVANIZED
 ZC= HOT DIP GALVANIZED