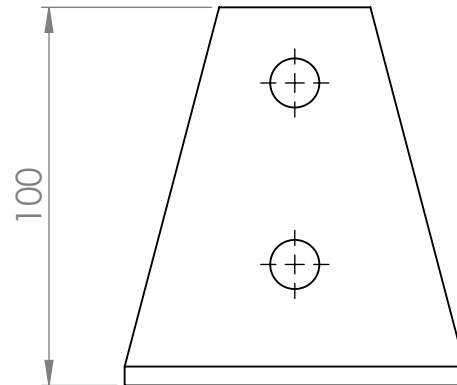
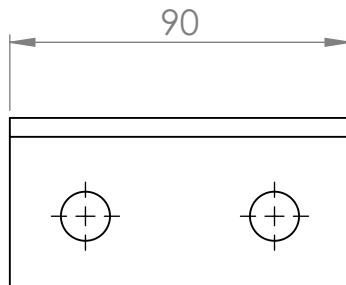
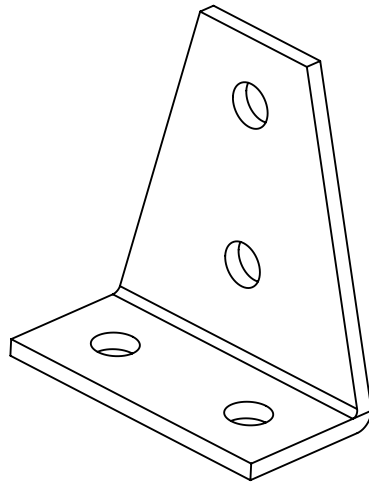


# FITTING PLATES

P1359



CODE	DESCRIPTION	THICKNESS[mm]	MATERIAL
P13595ZE	Angular Fitting	5,0	ZE
P13596ZE	Angular Fitting	6,0	ZE
P13595ZC	Angular Fitting	5,0	ZC
P13596ZC	Angular Fitting	6,0	ZC

Available also in Stainless steel A304 and A316

Legend:  
ZE= GALVANIZED  
ZC= HOT DIP GALVANIZED